



# E-D436-AFS<sup>PRO</sup> 6

4MP Full Color Dual Light Dome Network Camera



## Accessories

PFA136



PFB203W



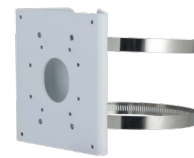
PFA109



PFB220C



PFA156



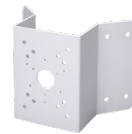
PFA150



PFB305W



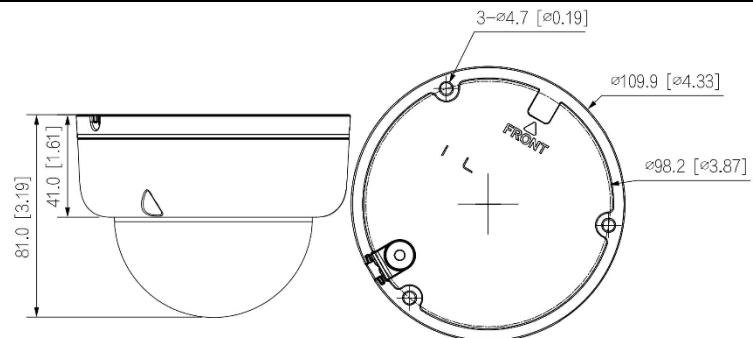
PFA151



## Installation Method

Ceiling Mount	Junction Mount	Ceiling Mount
Wall Mount	Pole Mount(Horizontal)	Pole Mount(Vertical)
Corner Mount		

## Dimensions mm (inch)



## Technical Specification

### Camera

Image Sensor	1/3" CMOS
Max. Resolution	2560 (H) × 1440 (V)
ROM	128 MB
RAM	128 MB
Scanning System	Progressive
Electronic Shutter Speed	Auto/Manual 1/3 s–1/100,000 s
Min. Illumination	0.008 lux@F1.6 (Color, 30 IRE) 0.0008lux@F1.6 (B/W, 30 IRE) 0 lux (Illuminator on)
S/N Ratio	>56 dB
Illumination Distance	Up to 30 m (IR) Up to 30 m (Warm light)
Illuminator On/Off Control	Auto; Manual
Illuminator Number	3 (IR LED); 4 (Warm light)
Angle Adjustment	Pan: 0° – 355° Tilt: 0° – 65° Rotation: 0° – 355°

### Lens

Lens Type	Fixed-focal								
Lens Mount	M12								
Focal Length	3,6 mm								
Max. Aperture	F1.6								
Field of View	H: 78,4°; V: 42,4°; D: 92,4°								
Iris Control	Fixed								
Close Focus Distance	1,5 m								
DORI Distance	<table border="1"> <thead> <tr> <th>Detect</th> <th>Observe</th> <th>Recognize</th> <th>Identify</th> </tr> </thead> <tbody> <tr> <td>80,0 m</td> <td>32,0 m</td> <td>16,0 m</td> <td>8,0 m</td> </tr> </tbody> </table>	Detect	Observe	Recognize	Identify	80,0 m	32,0 m	16,0 m	8,0 m
Detect	Observe	Recognize	Identify						
80,0 m	32,0 m	16,0 m	8,0 m						

### Intelligence

Human Detection	Support the classification and accurate detection of human
Smart Search	Work together with Smart NVR to perform refine intelligent search, event extraction and merging to event videos

### Video

Video Compression	H.265; H.264; H.264H; H.264B; MJPEG (Only supported by the sub stream)
Smart Codec	Smart H.265+; Smart H.264+
Video Frame Rate	Main stream: 2560 × 1440@ (1–25/30 fps) Sub stream: 704 × 576@ (1–25 fps)/704 × 480@ (1–30 fps) *The values above are the max. frame rates of each stream; for multiple streams, the values will be subjected to the total encoding capacity.
Streaming Capability	2 streams
Resolution	4M (2560 × 1440); 3M (2304 × 1296); 1080p (1920 × 1080); 1.3M (1280 × 960); 720p (1280 × 720); D1 (704 × 576/704 × 480); VGA (640 × 480); CIF (352 × 288/352 × 240)
Bit Rate Control	VBR; CBR
Video Bit Rate	H.264: 32 kbps–4096 kbps; H.265: 12 kbps–4096 kbps
Day/Night	Auto (ICR)/Color/B/W

HLC	Yes
BLC	Yes
WDR	120 dB
White Balance	Auto; natural; street lamp; outdoor; manual; regional custom
Gain Control	Auto/Manual
Noise Reduction	3D NR
Motion Detection	OFF/ON (4 areas, rectangular)
Region of Interest (RoI)	Yes (4 areas)
Smart Illumination	Yes
Smart Dual Light	Yes
Image Rotation	0°/90°/180°/270° (Support 90°/270° with 1080p resolution and lower)
Mirror	Yes
Privacy Masking	4 areas

### Audio

Built-in MIC	Yes, built-in Mic
Audio Compression	G.711a; G.711Mu; PCM; G.726

### Alarm

Alarm Event	Network disconnection; IP conflict; illegal access; motion detection; video tampering; audio detection; SMD (human); security exception;
-------------	--

### Network

Network Port	RJ-45 (10/100 Base-T)
SDK and API	Yes
Network Protocol	IPv4; IPv6; HTTP; TCP; UDP; ARP; RTP; RTSP; RTCP; RTMP; SMTP; FTP; DHCP; DNS; DDNS; NTP; Multicast; ICMP; IGMP; P2P; Auto Registration
Interoperability	ONVIF (Profile S & Profile T); CGI
User/Host	6 (Total bandwidth: 24 M)
Storage	FTP
Browser	IE; Chrome; Firefox
Management Software	Smart PSS Lite; DSS; DMSS
Mobile Client	iOS; Android
Security	Digest; WSSE; Account lockout; Security logs; Generation and importing of X.509 certification; HTTPS; Trusted boot; Trusted execution; Trusted upgrade

### Certification

Certifications	CE-LVD: EN62368-1; CE-EMC: Electromagnetic Compatibility Directive 2014/30/EU
----------------	--

**Technical Specification****Power**

Power Supply	12 VDC ( $\pm 30\%$ ); PoE (802.3af)
Power Consumption	Basic: 2.3 W (12 VDC); 3.1 W (PoE); Max.: 6.8 W (12 VDC); 7.9 W (PoE) (H.265 + intelligence on + WDR+ illuminator intensity)

**Environment**

Operating Temperature	-40 °C to +60 °C
Operating Humidity	$\leq 95\%$ (RH), non-condensing
Storage Temperature	-40 °C to +60 °C
Storage Humidity	$\leq 95\%$ (RH), non-condensing
Protection	IP67; IK08

**Structure**

Casing Material	Metal + Plastic
Product Dimensions	81.0 mm $\times$ $\Phi$ 109.9 mm
Net Weight	0.33 kg
Gross Weight	0.48 kg